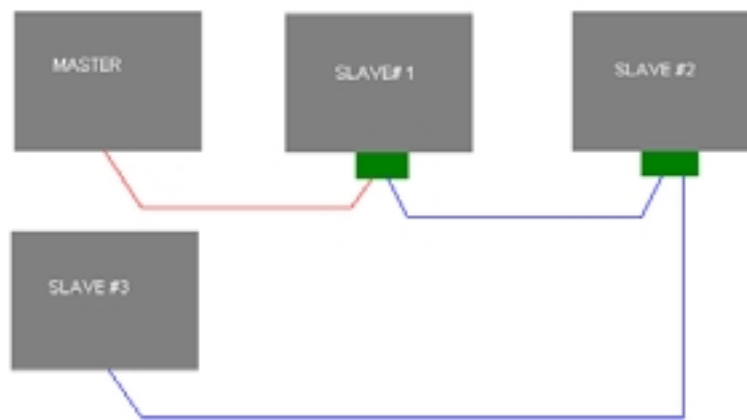


ONE FILL ALL FILL:

One master cable is needed (pn 11358251) if you are connecting two freezers together. Any units after that you will need to Daisy Chain them together (pn 10856321)



- MASTER CABLE # 11358251
- STD RJ45 CABLE #10740053
COMES IN DAISY CHAIN KIT #10856321
- SPLITTER RJ45 #10856312
COMES IN DAISY CHAIN KIT #10856321

NOTE 1: ONE MASTER CABLE #11358251 IS REQUIRED FOR ANY ONE FILL ALL FILL SYSTEM

NOTE 2: THE NUMBER OF DAISY CHAIN KITS #10856321 IS ALWAYS ONE LESS THAN THE NUMBER OF SLAVE UNITS. FOR EXAMPLE: 1 SLAVE = 0 KITS, 2 SLAVES = 1 KIT, 3 SLAVES = 2 KITS, ETC.

TECHNICAL SERVICE CHANGES:

As of December 13th, Gil Edwards has left Chart. Gil had worked for us a little over one year and was then offered a job working for a company that manufactures off-road four wheel drive equipment. Please join us all in welcoming back Jim Bachman to XLC Tech Service. Jim is now responsible for both AI and XLC products and is located in our Burnsville facility. Feel free to contact Jim with all your technical questions at:

Direct Burnsville Number	1-952-641-6115
Pager	1-612-579-8367
Cell	1-612-889-7810
Fax	1-800-232-9683
Tech Service	1-866-819-5897

2003 BIO-MEDICAL SHOWS

MARCH 9 – 14, 2003	PITCON	Orlando FL
MARCH, 2003	EBMT	Switzerland
APRIL 1-4,2003	BIO ANALYTICA	Munich Germany
APRIL 5-9,2003	AACR (American Assoc. for Cancer Research)	Toronto Ontario Canada
MAY 4-5,2003	ISBER	Philadelphia PA
MAY 7 – 8, 2003	MEDTRADE SPRING	Las Vegas, NV
MAY 29 – June 1,2003	ISCT 9 th Annual Meeting	Phoenix Arizona
JUNE 29 – July 2,2003	ESHRE	Madrid Spain
SEPT 14-18,2003	CRYOBIOMOL 2003 LOW TEMP BIOLOGY	Coimbra Portugal
SEPT 27 – Oct 1,2003	ERS	Vienna Austria
OCT 11-16,2003	ASRM (American Society of Reproductive Medicine)	San Antonio TX
OCT 9-11,2003	MED TRADE	Atlanta GA
NOV 5 – 8,2003	EUROPEAN ASSOC OF TISSUE BANKS	Bruges Belgium
NOV 19-22	MEDICA	Düsseldorf Germany
DEC 5-9, 2003	ASH (American Society of Hematology)	San Diego CA
DEC 8-11,2003	AARC (American Assoc for Respiratory Care)	Las Vegas NV

If you have any questions, please contact your Chart Customer Service Representative @ 888 683-2796.

For technical service contact Jim Bachman at 952 758-8520. E-mail jim.bachman@chart-ind.com